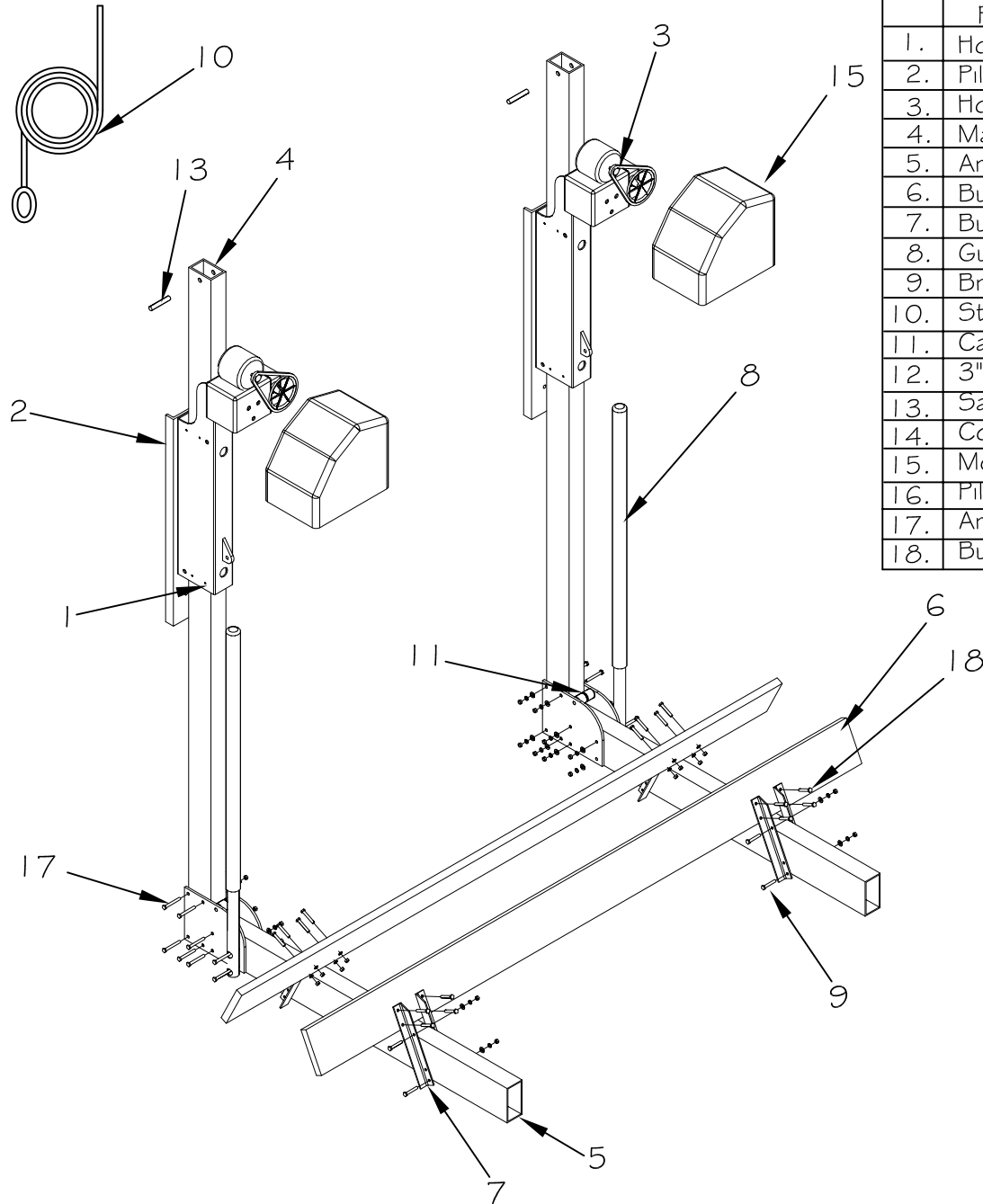
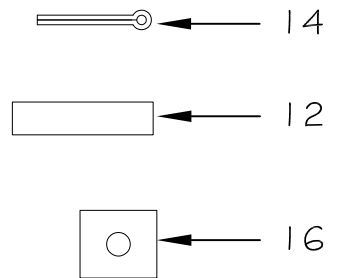


# 3000# ALUMINUM JET BOAT PART BREAKDOWN

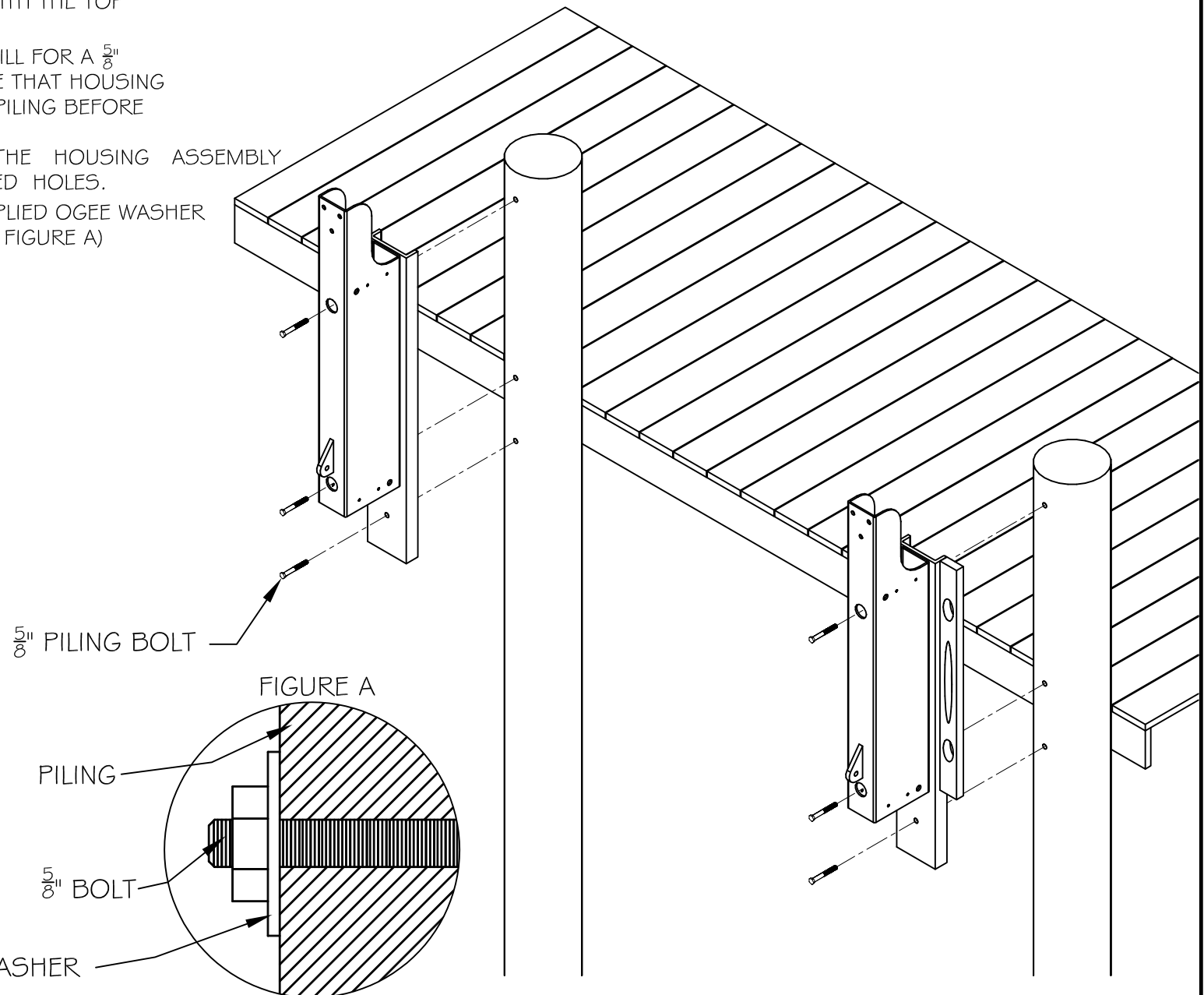


	Part Name	Description
1.	Housing	4" x 8" x .25" Tube
2.	Piling Mounts	4" x .25" Channel
3.	Hoist	1500 PSI Hoist
4.	Mast	3" x 4" x .25" Tube 12'-0" in length
5.	Arms	3"x4"x.25" Tube w/ 8" x 10" mount plate
6.	Bunk Boards	2" x 8" x 8'-0" Long salt treated lumber
7.	Bunk Brackets	3" x 4" x .25"
8.	Guide Pipes	1.5" Sch 40 Pipe w/ PVC cover
9.	Bracket bolts	Ø.5" x 4.5" Bolt with flat/lock washer and nut
10.	Stainless Cable	Ø.25 x 26'-0" Stainless Steel Cable
11.	Cable Roller	2" Nylon Roller
12.	3" Spacer	Ø.75 O.D. DOM tube
13.	Safety Pin	Ø.625 Round Rod
14.	Cotter Pin	.188 x 1.25" Cotter Pin
15.	Motor Cover	Plastic Motor Cover
16.	Piling Washer	3" x 3" Washers
17.	Arm Bolt	Ø.5" x 5" Bolt with flat/lock washer and nut
18.	Bunk Board Bolt	Ø.5" x 3" Bolt with flat/lock washer and nut



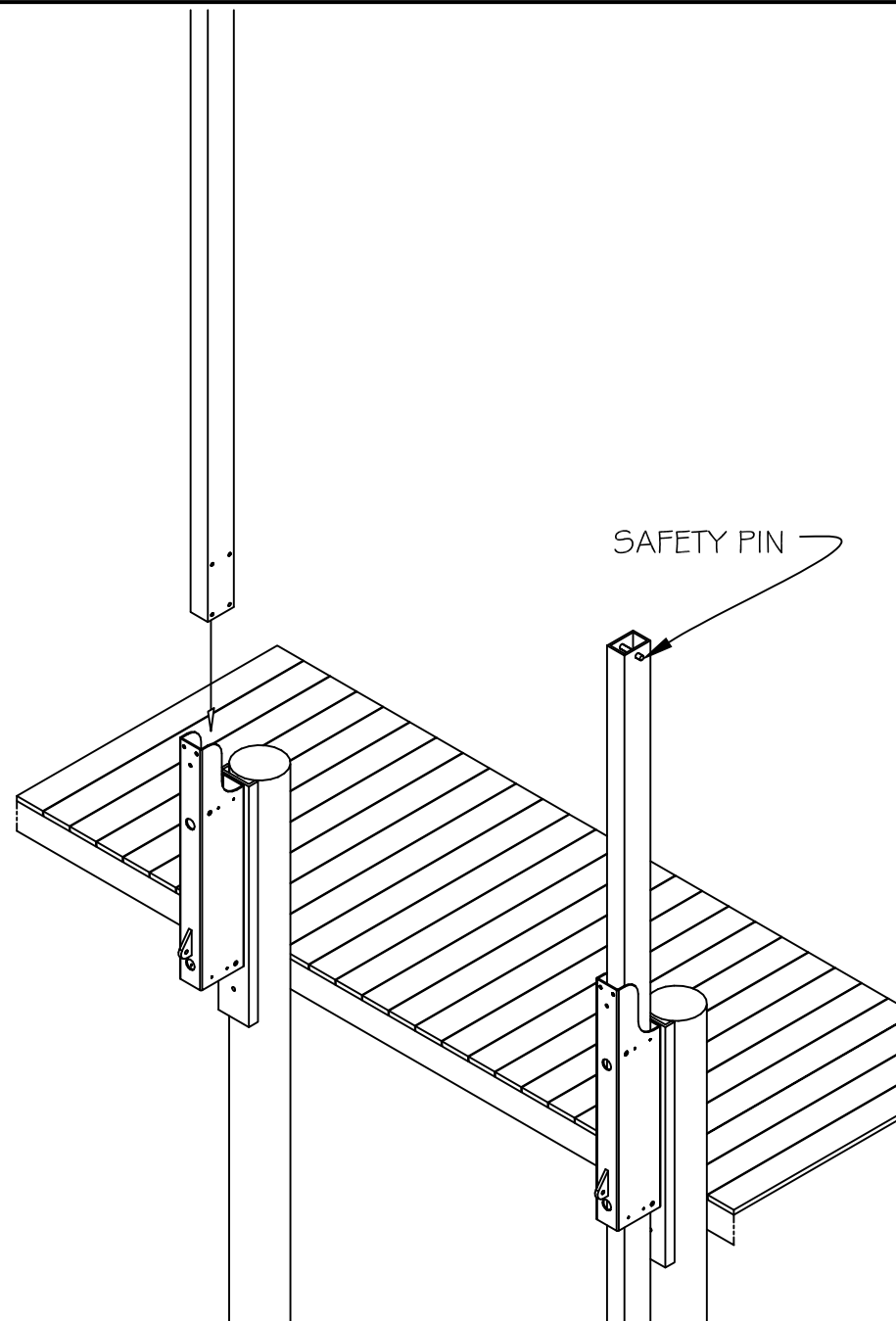
# STEP 1: PILING MOUNT INSTALLATION

1. AVERAGE PILING HEIGHT IS 40" ABOVE THE DECK.  
(PILING SHOULD BE NO LESS THAN 96" O.C.)
2. ALIGN TOP OF CHANNEL WITH THE TOP OF THE PILING,
3. MARK HOLES AND PRE-DRILL FOR A  $\frac{5}{8}$ " PILING BOLT. (MAKE SURE THAT HOUSING ASSEMBLY IS PLUMB ON PILING BEFORE HOLES ARE DRILLED).
4. INSERT BOLTS THROUGH THE HOUSING ASSEMBLY AND INTO THE PRE-DRILLED HOLES.
5. TIGHTEN  $\frac{5}{8}$ " BOLTS W/ SUPPLIED Ogee WASHER ON BACK ON PILING. (SEE FIGURE A)



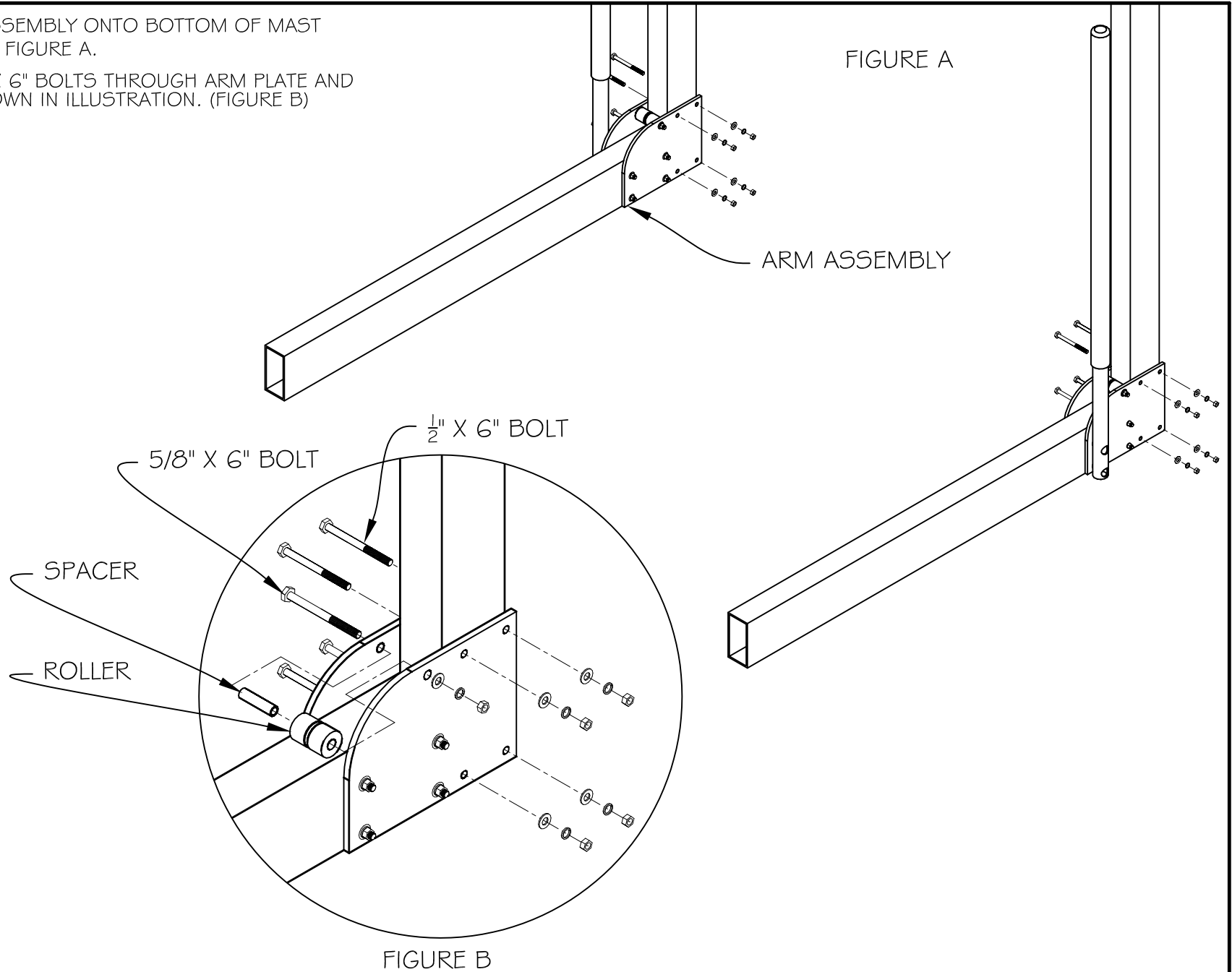
# STEP 2: MAST INSTALLATION

1. INSERT MAST INTO THE HOUSING FROM THE TOP WITH THE SAFETY PIN IN PLACE.



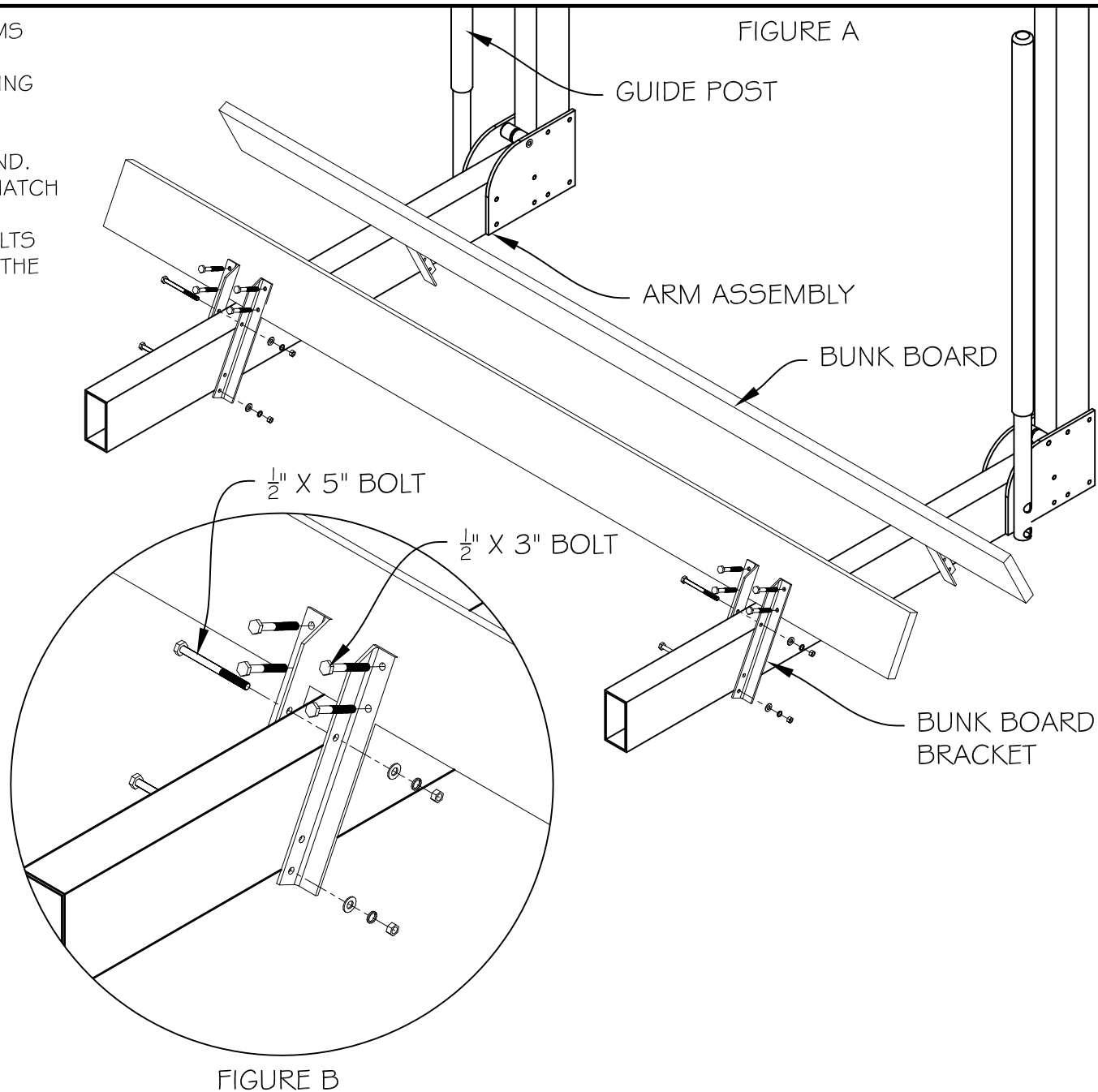
# STEP 3: ARM INSTALLATION

1. PLACE ARM ASSEMBLY ONTO BOTTOM OF MAST AS SHOWN IN FIGURE A.
2. INSERT (4)  $\frac{1}{2}$ " X 6" BOLTS THROUGH ARM PLATE AND MAST AS SHOWN IN ILLUSTRATION. (FIGURE B)



# STEP 4: BUNKBOARD INSTALLATION

1. PLACE BUNK BOARD BRACKETS ON ARMS USING  $1/2$ " X 5" BOLTS. (FIGURE A)
2. SECURE BUNK BOARD TO BRACKET USING  $1/2$ " X 3" BOLTS. (FIGURE B.)
3. CENTER BUNK BOARDS ON THE ARM BETWEEN THE GUIDE POST AND ARM END. ADJUST THE BUNK BOARD ANGLE TO MATCH THE ANGLE OF YOUR HULL
4. MAKE SURE THAT YOU TIGHTEN ALL BOLTS SECURELY WHEN YOU HAVE OBTAINED THE DESIRED BUNK BOARD POSITION.



# STEP 5: HOIST & CABLE ASSEMBLY

1. Attach cable to PSI drive unit by loosening set screw located in drive spool.  
(Drive spool may have to be rotated before loosening. To rotate drive spool rotate large drive pulley with your hand until the spool is in the desired location.)
2. Insert cable into hole located to the inside of the drive spool.
3. After cable is inserted past the set screw, tighten set screw onto cable.  
(Pull slightly on cable to ensure cable is secure)
4. Wind cable onto the spool by keeping tension on the cable and running drive in the upward motion. (Be sure cable is wrapped neatly on the cable spool.)

