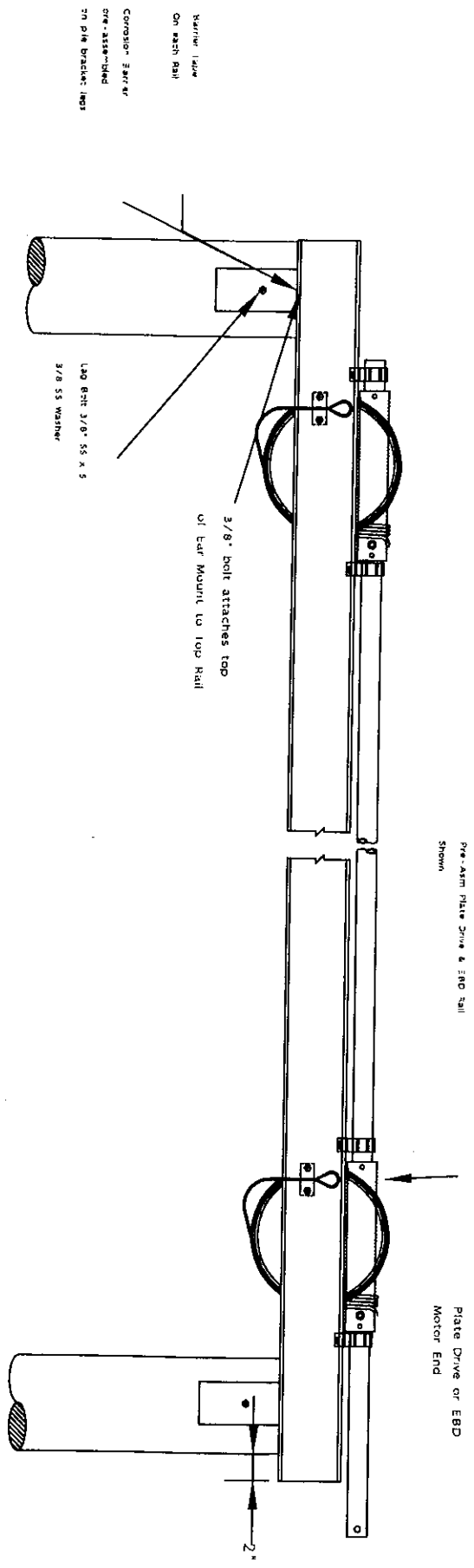


Section 1

Pilot Lift



- Step A ... ○ Position on Piling, both Rail Units Parallel with the drive end out 2".
- Step B ... ○ Slide the jale bracket into place and secure with 3/8" lag bolts provided.
- Step C ... ○ Tighten mount bracket nut at rail flange.

PLEASE NOTE :

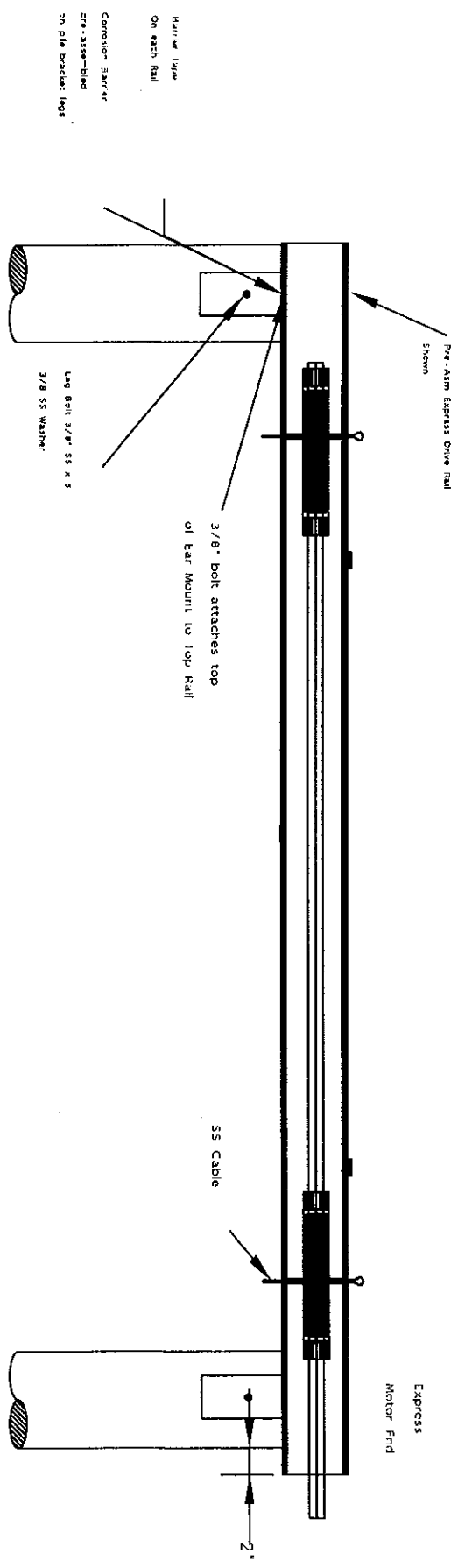
THE SHIFT IS OFFSET AWAY FROM YOU IN THIS SIDE VIEW.

For 4500 and 7000 Lifts, the cables are attached at the winders.

For 10,000 Lifts and up, the cables are attached at the deadman units.

Act BOAI LPIS,LLC.
 VFNICF, RI 04293
 Alum 4 - Post Lift Sect. 1.

Express Lift



- Step A . . . ○ Position on piling, both Rail Units Parallel with the drive and out 2".
- Step B . . . ○ Slide the pile bracket into place and secure with 3/8" lag bolts provided.
- Step C . . . ○ Tighten mount bracket nut at rail flange.

PLEASE NOTE :

THE SHIRT IS OFFSET AWAY FROM YOU IN THIS SIDE VIEW.

For 4500 and 7000 lifts, the cables are attached at the winders.
For 10,000 lifts and up, the cables are attached at the deadman units.

ACE BOAT UP-15,LLC.
 VFNIRF, Fl 34293
 Alum 4 - Post Lift Sect. 1.

Section

Contents

Extreme & Pilot Aluminum Lifts

I.

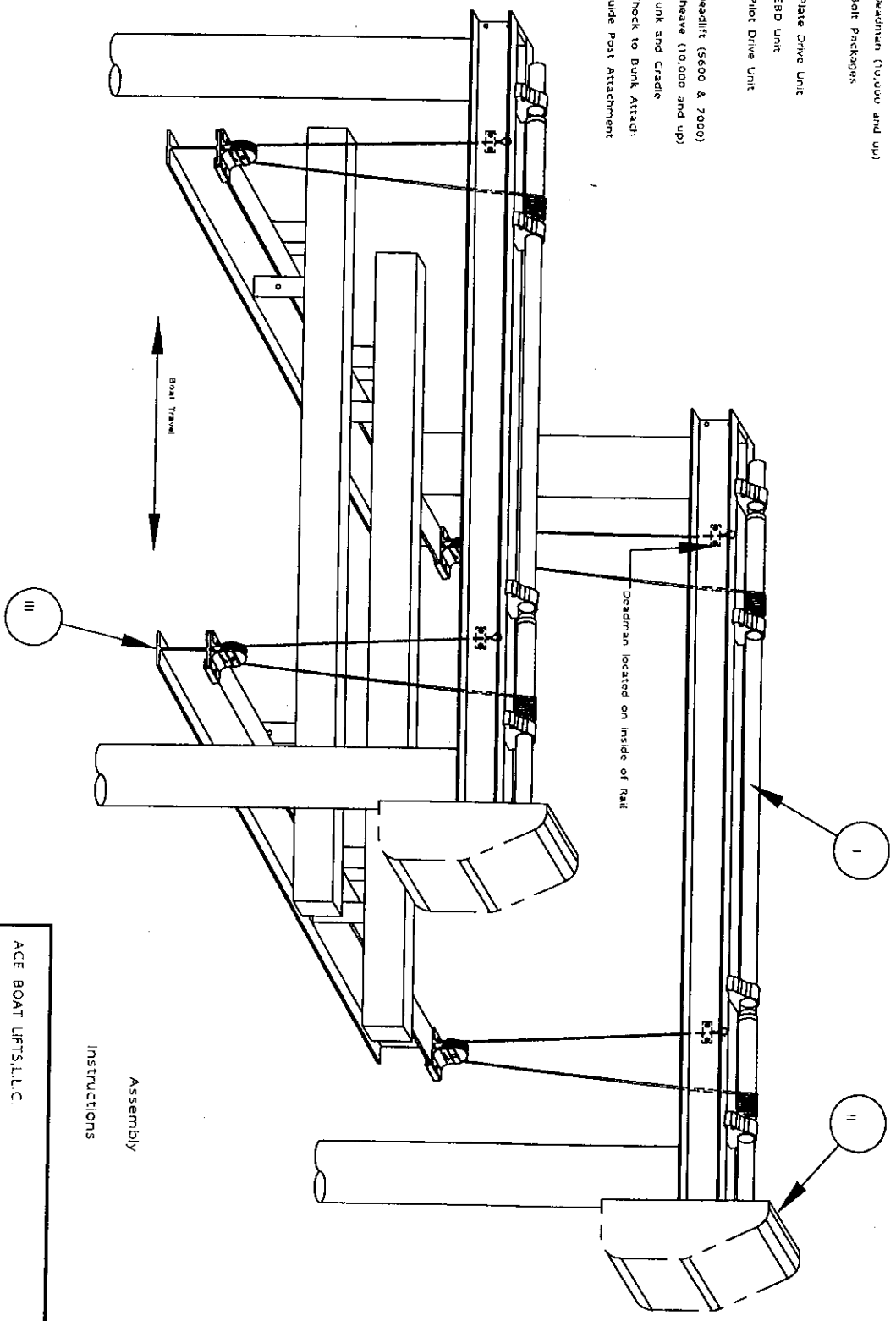
- Pre Asm Top Rail & Shaft.
- Pile Attachments (8)
- Cable
- Leadman (10,000 and up)
- Bolt Packages

II.

- Plate Drive Unit
- ERD Unit
- Pilot Drive Unit

III.

- Deadlift (5800 & 7000)
- Sheave (10,000 and up)
- Bunk and Cradle
- Chock to Bunk Attach
- Guide Post Attachment



Assembly
Instructions

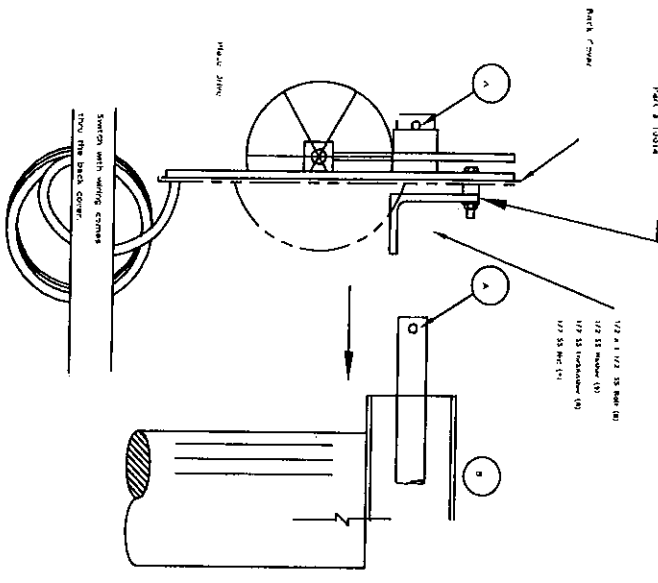
ACE BOAT LIFTS,LLC.

VENICE, FL 34293

Aluminum 4 - Pile Lift

Plate Drive

Part 8 10314

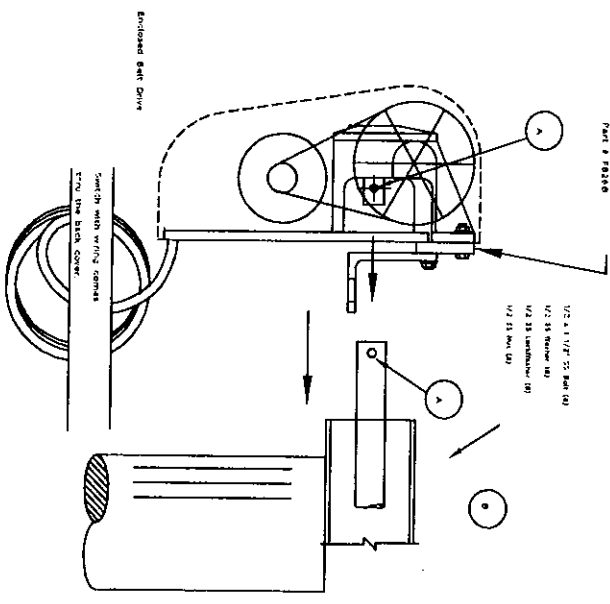


- A Slide the Plate Drive onto the drive shaft, aligning the holes in shaft & gear sleeve. Secure with Grade 8 bolt and nut provided.
- B Secure upper bracket with bolts & washers thru top flange & fasten with lockwashers & nuts.

PLATE DRIVE Assembly Steps:

EBD

Part 8 10320

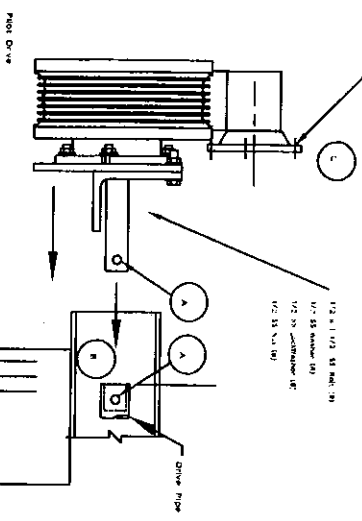


- A Slide the EBD shaft into the main drive shaft, aligning the holes. Secure with hardware provided.
- B Secure bracket with bolts and washers thru top flanges & fasten with lockwashers & nuts.

EBD Assembly Steps:

Part 8 10326

1/2 x 1 1/2 SS Bolt (A)
1/2 SS Washer (B)
1/2 SS Lockwasher (C)
1/2 SS Nut (D)



- A Slide the Pilot Drive onto the drive shaft, aligning the holes in shaft & drive pipe. Secure with Grade 8 bolt and nut provided.
- B Secure upper bracket with bolt & washer thru top flange & fasten with lockwasher & nut.
- C Attach the unit with (4) 3/4 x 1 bolts with lockwashers.

PILOT Assembly Steps:

Note: Both upper & lower angle brackets have slots to allow for alignment adjustment.

Plate Drive Unit (shown)
or Pilot Drive Unit

Step A ...

Position Bottom Beams under cable location.

D

Step B ...

For 4500 & 7000 : 3/4" bolt thru cable thimble & attach to slide-on deadman bracket on cradle.

Tighten the cables & raise the beams.

For 10,000+ : run cable thru deadman in top rail, thru sheave housing then thru cable winder & attach cable stop.

Tighten cables & raise the beams.

Step C ...

Install the bunks, adjusting the space & angle to the boat hull configuration.

Install guide pipe brackets, weight pipe & PVC guide pipe covers.

Step D ...

SS Cable

B

Bunk Assembly
1/2 Bolt x 5 1/2-7 1/2
Washer (6)
1"-Washer (4)
Nut (8)

Guide Pipe (4)
Attach Plate (4)
3/8 Bolt x 8-10
Washer (10)
Lockwasher (8)
Nut (8)

Lifting Up

Deadlift
4500 & 7000
Capacity

1/4 SS Cable or
5/16 SS Cable
Sleeve & Thimble
B

Cradle and Bunk Assembly

4 Post Boat Hoist

A.C.C. BOAT LIFTS, LLC.

VENICE, FL 34293

Alum 4-Post Lift, Sect. III.

